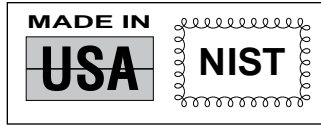




**\$290**  
**Model LC901-1/4-5K**  
 Shown



**SPEC SHEET**  
**LC900**  
*Interchangeable with*  
**Model TH-BS9**

# BOLT SENSOR with Mounting Washers

## LC900 Series Compression

**0-2,000 to 0-100,000 lb**  
**0-9,000 N to 0-450,000 N**

OMEGADYNE's LC900 Series bolt force sensors are compression load cells designed to measure the clamping force of a bolt. With excellent long term stability and all stainless steel construction the LC900 Series delivers high reliability in severe industrial environments. These units are designed to operate by mounting on a flat surface between the two included mounting washers.

### SPECIFICATIONS:

**Excitation:** 10 V ac/dc (15V max)

**Output:** 2 mV/V nominal

**Accuracy:** ±3.5% FSO Linearity, Hysteresis and Repeatability Combined  
**Zero Balance:** ±2% FSO

**Operating Temp Range:** -54° to 93°C (-65° to 200°F)

**Compensated Temp Range:** 16° to 71°C (60° to 160°F)

**Thermal Effects:** Zero: ±0.01% FSO/°F Span: ±0.02% of Rdg/°F

**Safe Overload:** 130% of Capacity

**Ultimate Overload:** 150% of Capacity

**Bridge Resistance:** 120 ohms Nominal

**Construction:** Stainless Steel

**Electrical Connection:** 4 ft (1.2 m) PVC Insulated Shielded Cable

**For Sales and Service**  
**In U.S.A. and Canada**

**1-800-872-3963**  
**1-800-USA-DYNE**

International Customers Dial  
**(614) 965-9340**  
 24-Hour FAX (614) 965-9438

**OMEGADYNE<sup>SM</sup> FAX**

OMEGADYNE's 24-Hour  
 On-Line Publishing Service

**1-800-344-3963**  
**1-800-DIG-DYNE**

Document # 3642

**OMEGADYNE, Inc.**

149 Stelzer Court, Sunbury, OH 43074

<http://www.omegadyne.com>

e-mail: [info@omegadyne.com](mailto:info@omegadyne.com)

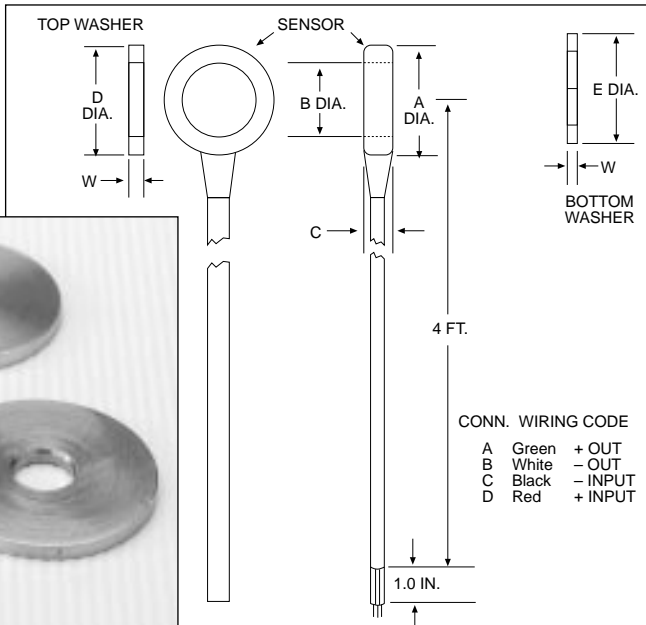
Formerly  
**THI** T-HYDRONICS, INC.

© COPYRIGHT 1996 OMEGADYNE, INC. ALL RIGHTS RESERVED.

1 Newton = 0.2248 lb  
 1 daNewton = 10 Newtons  
 1 lb = 454 g  
 1 t = 1000 kg = 2204 lb



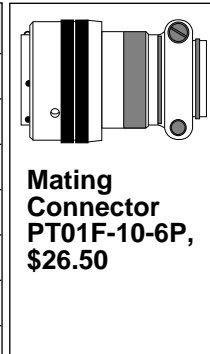
**MODEL LC901-1/4-5K \$290**  
 Shown Larger Than Actual Size



CONN. WIRING CODE  
 A Green + OUT  
 B White - OUT  
 C Black - INPUT  
 D Red + INPUT

Dimensions Shown in Inches (mm)

SIZE	RANGE	BOLT SENSOR			WASHERS		
		A	B	C	D	E	W
1/4	2000 lb	1.000 (25.4)	0.266 (6.76)	0.187 (4.75)	0.750 (19.1)	1.000 (25.4)	0.062 (1.57)
1/4	5,000 lb	1.000 (25.4)	0.266 (6.76)	0.187 (4.75)	0.750 (19.1)	1.000 (25.4)	0.62 (1.57)
3/8	10,000 lb	0.75 (19.1)	0.396 (10.1)	0.187 (4.75)	0.656 (16.7)	0.750 (19.1)	0.062 (1.57)
1/2	30,000 lb	1.000 (25.4)	0.517 (13.1)	0.250 (6.35)	0.844 (21.4)	1.000 (25.4)	0.078 (1.98)
5/8	50,000 lb	1.25 (31.8)	0.644 (16.4)	0.25 (6.35)	1.125 (28.6)	1.25 (31.8)	0.078 (1.98)
3/4	65,000 lb	1.500 (38.1)	0.770 (19.6)	0.375 (9.53)	1.218 (30.9)	1.500 (38.1)	0.093 (2.36)
1 1/2	100,000 lb	2.625 (66.7)	1.533 (38.9)	0.875 (22.2)	2.500 (63.5)	2.625 (66.7)	0.125 (3.18)



**Mating Connector**  
**PT01F-10-6P,**  
**\$26.50**

► **Most Popular Models Highlighted** ◀

Prices Shown in U.S. Dollars

### To Order: (Specify Model Number)

Bolt Size	Capacity (lb)	Model Number	Price	Compatible Meters
<b>LC901 SERIES - Striped ends on cable</b>				
1/4	0-2000	LC901-1/4-2K	\$290	INFW, INFS, INFCS
1/4	0-5000	LC901-1/4-5K	290	INFW, INFS, INFCS
3/8	0-10,000	LC901-3/8-10K	290	INFW, INFS, INFCS
1/2	0-30,000	LC901-1/2-30K	310	INFW, INFS, INFCS
5/8	0-50,000	LC901-5/8-50K	340	INFW, INFS, INFCS
3/4	0-65,000	LC901-3/4-65K	390	INFW, INFS, INFCS
1 1/2	0-100,000	LC901-1.5-100K	425	INFW, INFS, INFCS
<b>LC911 SERIES - PT06A-10-6S Connector installed on Cable</b>				
1/2	0-30,000	LC911-1/2-30K	335	INFW, INFS, INFCS
5/8	0-50,000	LC911-5/8-50K	365	INFW, INFS, INFCS
3/4	0-65,000	LC911-3/4-65K	415	INFW, INFS, INFCS

Interchangeable with Model TH-BS9

Metric Ranges Available—Consult Engineering.

**Ordering Examples:** 1.) LC901-1/4-10K is a 10,000 lb capacity bolt sensor for a 3/8 dia. bolt, and striped ends on the leads, \$290. 2.) LC911-1/2-30K is a 30,000 lb capacity bolt sensor for a 1/2 inch dia. bolt with a connector installed on the cable, \$335.

Mating connector (not included) PT01F-10-6P, \$26.50.

Printed On Recycled Paper

